

PRODUCT INFORMATION PACKET

FASCO®

Model No: D415
Catalog No: D415
1/40 HP Draft Inducer Motor, 1500 RPM, 115 Volts, 3.3" Diameter, Semi Enclosed
Draft Inducer Motors



Regal and Fasco are trademarks of Regal Beloit Corporation or one of its affiliated companies.
©2019 Regal Beloit Corporation, All Rights Reserved. MC017097E

REGAL



Nameplate Specifications

Output HP	1/40 Hp	Output KW	0.02 kW
Frequency	60 Hz	Voltage	115 V
Current	1.1 A	Speed	1500 rpm
Service Factor	1	Phase	1
Duty	Air Over	Insulation Class	B
Frame	3.3	Enclosure	Open Air Over
Thermal Protection	Thermally Protected	Ambient Temperature	40 °C
UL	Recognized	CSA	Y
CE	N		

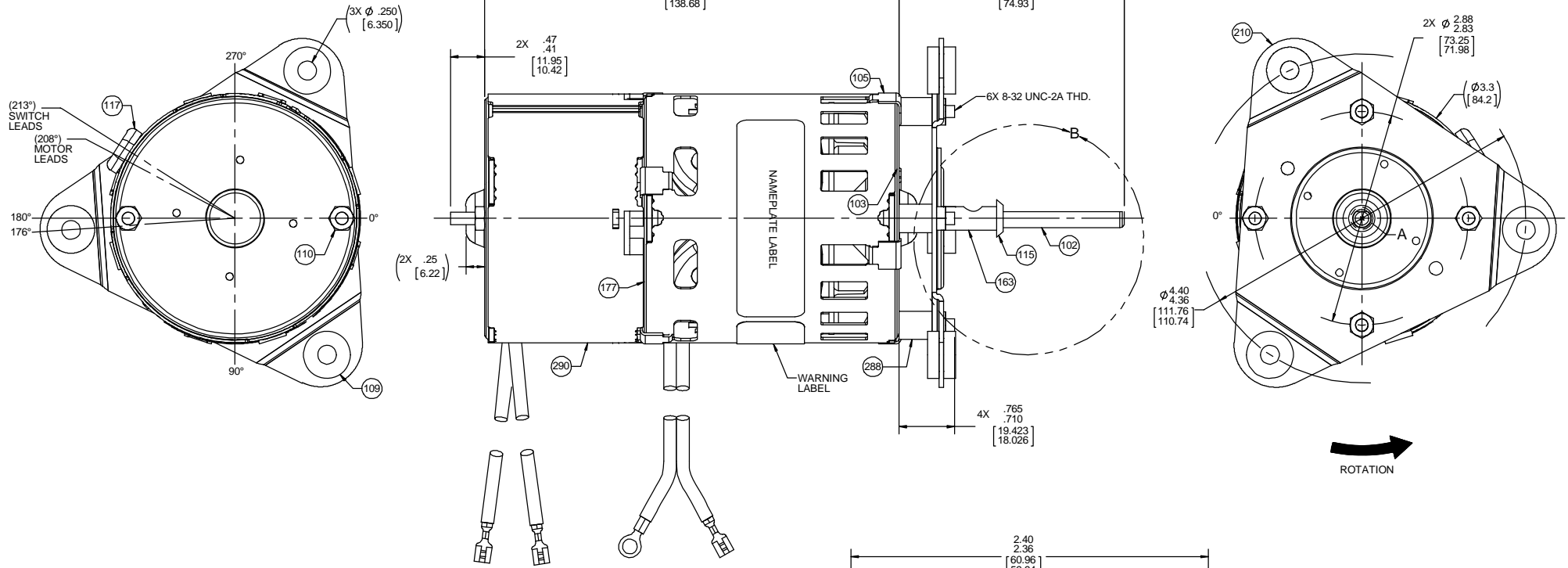
Technical Specifications

Electrical Type	Shaded Pole	Starting Method	Across The Line
Poles	4	Rotation	Counterclockwise Shaft End
Mounting	Extended Studs	Drive End Bearing	Ball
Opp Drive End Bearing	Ball	Frame Material	Steel
Shaft Type	Flat	Overall Length	8.88 in
Frame Length	3.19 in	Shaft Diameter	0.250 in
Shaft Extension	3.00 in		

This is an uncontrolled document once printed or downloaded and is subject to change without notice. Date Created:29/10/2019

BACK END

FRONT END



LEAD MATERIAL
14 GA. 105°C 5/64 INSUL.
(2) COND. PARALLEL THERMO.
BLACK 32.00 / 30.00 [812.80 / 762.00]
W/RIP 4.00 / 3.50 [101.60 / 88.90]
(1) W/FSPADE TERM. AMP 41728
(1) WRING TERM. AMP 42110-3

SWITCH LEADS
18 GA. 105°C 3/64 INSUL.
THERMO. (2) RED
49.00 / 47.00 [1244.60 / 1193.80]
W/FSPADE TERM. AMP 42660-2

- NOTES:
1. MOTOR HAS 416 SS SHAFT.
2. PACK 168 MAX. MOTORS PER PALLET.
3. NO PACKING TAPE OVER CARTON LABEL.

61305568

00464072

00469108

SAFETY WARNING
This motor must be grounded in accordance with local or national electrical codes to prevent possible injury due to electrical shock



AVERTISSEMENT DE SÉCURITÉ
Ce moteur doit être fondée sur conformément à la réglementation locale ou national électrique codes pour prévenir d'éventuelles blessures en raison de choc électrique

FASCO Fasco Industries Inc. Motor Division

Assembled In Mexico
No. 71632903 TYPE U63B1 TP AO LR6319
115 V 60 Hz Class B
1.1 A 1500 RPM 1/40 HP
Model D415 Scaled Ball Brg
SW280-10 SW125VA-120V

Connection Diagram
Blk — Line
Blk — Line
Red —
Red —

APPLY IN A CONVENIENT LOCATION TO READ RIGHT FROM BACK END

CUSTOMER:	FASCO DIST.	APPLICATION:										
CUSTOMER PN:	D415	MOTOR WEIGHT:	4.18 LBS.									
	UP	ENVIRONMENT:	DRY									
HORIZONTAL	MOTOR TYPE					REFERENCE SAMPLE						
	B	LA	FR	A	S	C	E	B	A			
	00	63	34	F	03	FE	5	0	0			
TYPICAL PERFORMANCE AT 115 VOLTS 60 HZ												
MOTOR SPEED	IDLE			LOADED			LOCKED			BREAK		
	RPM	AMP	WATT	IN OZ	RPM	AMP	WATT	IN OZ	AMP	WATT	IN OZ	
	1725	.88	51	19.8	1500	1.03	77	7.8	1.39	104	17.9	

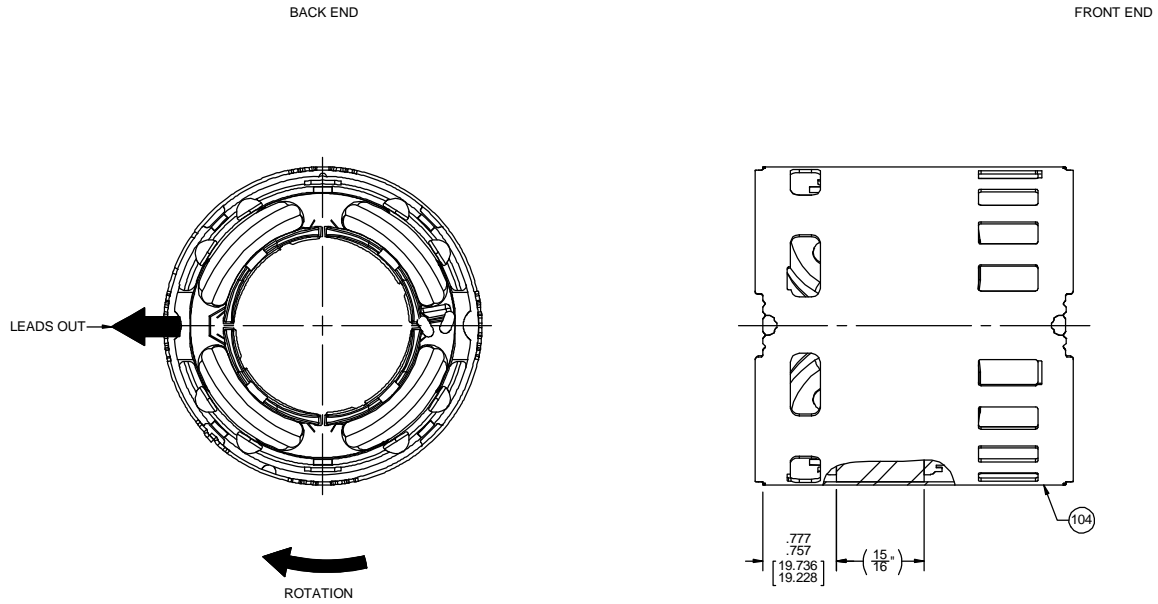
DRAWING REVISION	AA	REVISION BY	SED	DATE	10/16/2017
ECO	0131511	APPROVED BY	MLS	DATE	10/16/2017
ECO DESCRIPTION					
REVISED SWITCH LEAD EXIT LOCATION					
COPYRIGHT REGAL BELOIT AMERICA, INC. ALL RIGHTS RESERVED.					
PROPRIETARY AND CONFIDENTIAL INFORMATION. THIS DOCUMENT IS THE PROPERTY OF REGAL BELOIT AMERICA, INC. FORMERLY AND CONTAINS OWNERS PROPRIETARY INFORMATION. ANY PERSON, CORPORATION OR OTHER FIRM RECEIVING IT IS DEEMED TO HAVE AGREED TO AGREE THAT IT, AND/OR ANY PART OF IT, SHALL NOT BE DISCLOSED TO ANY PERSON, CORPORATION OR OTHER ENTITY, DUPLICATED, AND/OR USED, EXCEPT AS EXPRESSLY APPROVED IN WRITING IN ADVANCE BY OWNER. THIS DOCUMENT SHALL BE RETURNED TO OWNER UPON REQUEST. IT MAY BE SUBJECT TO CERTAIN RESTRICTIONS UNDER APPLICABLE EXPORT CONTROL LAWS AND REGULATIONS.					

TOLERANCES UNLESS OTHERWISE SPECIFIED:			
DEC.	INCH	mm	ANGLE
.X	+0.1	[0.25]	±1°
.XX	+0.01	[0.25]	
.XXX	+0.005	[0.127]	
.XXXX	+0.0005	[0.0127]	
REMOVE BURRS & BREAK SHARP EDGES: .0031 [0.0787/381] X 45° CORNER FILLETS: R. 02 [51]			
MACHINED SURFACES: .125 / 3.2 INCH / mm			

DRAWN BY	SED
DATE	10/16/2017
APPROVED BY	MLS
DATE	10/16/2017
REFERENCE	

REGAL Regal Beloit America, Inc.	
DESCRIPTION	OUTLINE MOTOR ASSY
MATERIAL	PROCESS/FINISH
THIRD ANGLE PROJECTION	SIZE
DRAWING NUMBER	71632903
SHEET	1 OF 2

- NOTES:
1. STAKE STATOR TO MAIN FRAME PER 88830264.
 2. MAXIMUM TORQUE REQUIRED TO TURN MOTOR SHAFT IS 1/4 INCH-OUNCE.
 3. ASSEMBLE SPRING BETWEEN WASHER AND BEARING ON BACK END, WITH SPRING FINGERS TOWARD BEARING.
 4. SWITCH LEADS MUST MEET PULL TEST PER 88834274.
 5. ASSEMBLE BALL BEARINGS TO BEARING RETAINERS PER 88834419.
 6. ASSEMBLE BUSHING TO SHAFT AND SECURE WITH OIL SLINGER.



SWITCH INSTRUCTIONS

1. ASSEMBLE SWITCH PER 88834261.
2. PRESS ACTUATOR ASSEMBLY AND THIMBLE ON SHAFT SO THAT TOP OF METAL ACTUATOR PLATE IS .568 / .548 [14.172 / 13.919] FROM END OF SHAFT.
3. SWITCH MUST BE ADJUSTED TO OBTAIN .035 / .025 [.889 / .635] AIR GAP BETWEEN THIMBLE AND SWITCH IN FULL OPERATING POSITION.
4. SWITCH MUST MAKE CONTACT BEFORE 1250 RPM AS SPEED INCREASES AND BREAK ABOVE 400 RPM AS SPEED DECREASES. SWITCH MECHANISM TO GIVE QUIET OPERATION ABOVE 1000 RPM.
5. WHEN ASSEMBLING HEYCO, NO SLACK ALLOWED INSIDE SWITCH COVER.
6. SWITCH LEADS MUST NOT CROSS OVER SWITCH.
7. MOTOR MUST BE FREE TO START AT 90 VOLTS OR LESS.

PACKING SPECIFICATIONS

1. PACK PER 88834200. 1 PER CONTAINER, 168 MAX. PER PALLET. 7 LAYERS PER PALLET, 24 CARTONS PER LAYER.
2. PLACE FILLER TUBE OVER SHAFT EXTENSION. PLACE IN CARTON. PLACE 2 PIECES OF 3 3/8" X 7" FOAM PAD ON EACH OF THREE SIDES OF MOTOR. CLOSE FLAPS AND TAPE.
3. CARTON LABELS MUST ALL FACE ONE DIRECTION TOWARD THE OPEN END OF THE PALLET PER 88834408.
4. NO PACKAGING TAPE OVER CARTON LABEL.

DRAWING REVISION AA	REVISION BY SED	DATE 10/16/2017	TOLERANCES UNLESS OTHERWISE SPECIFIED: DEC. INCH mm ANGLE	DRAWN BY SED	Regal Beloit America, Inc.	
ECO-0131511	APPROVED BY MLS	DATE 10/16/2017	.X ±0.1 [±2.5] ±1° .XX ±0.01 [±0.25] .XXX ±0.005 [±0.127] .XXXX ±0.0005 [±0.0127]	DATE 10/16/2017		
ECO DESCRIPTION REVISED SWITCH LEAD EXIT LOCATION			REMOVE BURRS & BREAK SHARP EDGES: .003 / .015 [0.076 / .381] X 45° CORNER FILLETS: R.02 [.51]	APPROVED BY MLS	DESCRIPTION OUTLINE MOTOR ASSY	
<small> PROPRIETARY AND CONFIDENTIAL INFORMATION. THIS DOCUMENT IS THE PROPERTY OF REGAL BELOIT AMERICA, INC. FORMERLY AND CONTAINS OWNERS PROPRIETARY INFORMATION. ANY PERSON, CORPORATION OR OTHER FIRM RECEIVING IT IS DEEMED BY RECEIVING IT, TO AGREE THAT IT, AND/OR ANY PART OF IT, SHALL NOT BE DISCLOSED TO ANY PERSON, CORPORATION OR OTHER ENTITY. DUPLICATED, AND/OR USED, EXCEPT AS EXPRESSLY APPROVED IN WRITING IN ADVANCE BY OWNER. THIS DOCUMENT SHALL BE RETURNED TO OWNER UPON REQUEST. IT MAY BE SUBJECT TO CERTAIN RESTRICTIONS UNDER APPLICABLE EXPORT CONTROL LAWS AND REGULATIONS. </small>			MACHINED SURFACES: .125 / 3.2 INCH/ mm SHOWN IN [BRACKETS]	DATE 10/16/2017	MATERIAL	PROCESS/FINISH BLACK PAINT
			THIRD ANGLE PROJECTION	REFERENCE	SIZE C	DRAWING NUMBER 71632903
						SHEET 2 OF 2